

FLATFROG MULTITOUCH 3200



NOW WITH
PRESSURE DETECTION



A SUPREME MULTI-TOUCH EXPERIENCE

FlatFrog Multitouch 3200 – the slimmest true multi-touch system on the market – gives you an effortless and natural user experience by delivering state of the art, true multi-touch performance for many users simultaneously. And, it's the first multi-touch system that detects pressure!

NOW WITH PRESSURE DETECTION

FlatFrog's patented Planar Scatter Detection (PSD) technology provides a unique level of performance compared to any other multi-touch solution on the market. It offers constant and very reliable touch output thanks to an unparalleled 400+ DPI accuracy and very low jitter. Every gesture feels natural and responsive due to a high refresh rate and low latency. And now, the FlatFrog Multitouch 3200 also detects pressure. This unique feature for PSD detects 1000 levels of pressure for 40 individual touches. PSD pressure detection supports the new pressure parameter introduced by Microsoft in Windows 8, opening up new dimensions of navigation, workflow and control.

TRUE MULTI-USER. TRUE MULTI-TOUCH

The real beauty of FlatFrog Multitouch 3200 is that many users can collaborate and interact together, while the system's high performance level remains constant. This is possible thanks to 40 simultaneous touches and drags. The system also works with different kinds of gloves, which creates a whole new dimension of exciting application opportunities in lab/medical or industrial environments.



- DIGITAL SIGNAGE
- RETAIL
- HOSPITALITY
- EVENTS & EXHIBITIONS
- GAMING & AMUSEMENT
- HOME AUTOMATION

LET YOUR APPLICATIONS SHINE

The strong glass surface offers perfect optical clarity that lets the full HD LED display's perfect colors and contrast truly shine. It makes all applications stand out and create a premium, interactive experience.

DESIGNED TO STAND OUT – AND FIT IN

The premium design and finish of FlatFrog Multitouch 3200 makes it fit right in with the interior design in exclusive settings. This means an application will feel natural – and be noticed – in any upscale commercial or exhibition environment. The solid aluminum frame, robust build quality and scratch resistant glass surface also ensure operation in demanding environments as well as a long lasting quality feel.

TOTAL FLEXIBILITY

FlatFrog Multitouch 3200 is the slimmest, true multi-touch system on the market. Measuring only 55 mm in depth, the screen can easily be integrated in different environments and provides plenty of legroom when mounted flush in a table. It can also be mounted both horizontally and vertically on a wall. For horizontal applica-

tions you can use the ready-to-mount legs available in bar- and sofa table heights or you can integrate the screen flush into a table or bar desk of your choice.

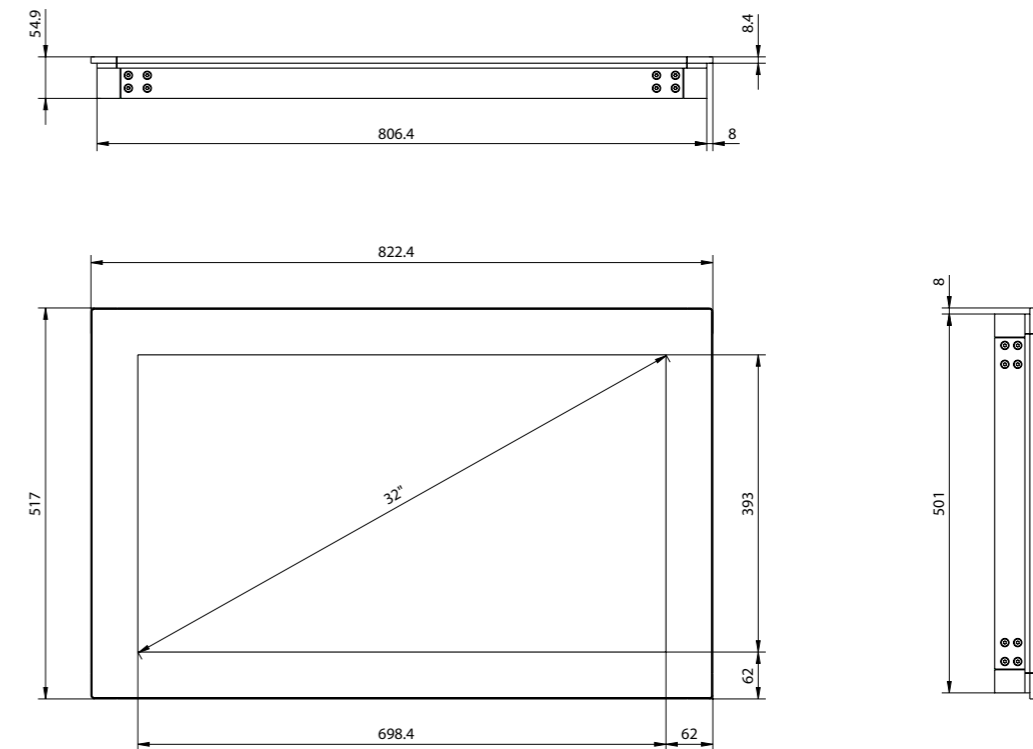
WE LIKE INDEPENDENCE

FlatFrog Multitouch 3200 is platform independent and supports both USB plug & play for Windows 7 and 8 as well as other operating systems (OSX and Linux) over Ethernet using the TUIO protocol. This gives developers full flexibility to harness FlatFrog's true multi-touch potential.

EVERYDAY IS EASY

Whereas most other multi-touch screens will need to be calibrated, and some need complicated lighting adjustments to even work, FlatFrog Multitouch 3200 comes pre-calibrated and is very resilient to ambient light – ready to perform straight out of the box. Thanks to the flush surface with an easy-to-clean coating and an anti-fingerprint treatment, the screen can be wiped off just like any other surface. This is especially important in demanding environments like restaurants or bars.

DIMENSIONS



ALL DIMENSIONS IN MM EXCEPT SCREEN SIZE

CUSTOMIZE YOUR SOLUTION

FlatFrog Multitouch 3200 is ready to perform straight out of the box. All you need to do is connect a computer running your favorite multi-touch software and you're good to go – no calibration or drivers needed. You can also customize your solution with our range of accessories.



HOW YOU LIKE IT – WHERE YOU LIKE IT



FlatFrog Multitouch 3200 core unit is designed with a supporting edge for flush integration into a desk, table, wall or case of your own design. You can also add the industrial design casing and one

of our standalone legs to create a table. Or use the casing alone to mount it vertically with a VESA mount.



The industrial design casing makes a striking statement in any environment with its sleek, understated design. Use with the standalone legs or when mounted on a wall. The industrial design casing is sold separately.



Add the standalone sofa height legs combined with our industrial design casing to create a stylishly simple sofa table solution. Perfect for hospitality- and home solutions. Sold separately.



With the standalone bar height legs and the industrial design casing you get a sleek installation, ideal for several users to stand around for example in a retail- or exhibition environment. Sold separately.



Both the sofa- and bar height legs feature the smart cable duct. Snaps on and off easily and cleans up your cable mess in an instant.



A DVI video interface combined with both USB and Ethernet touch-interfaces provide support for many platforms, such as Windows 7, Mac OSX and Linux. The cable holder keeps everything nice and tidy.



The VESA standard mounting holes also offer a stylish and practical way of mounting your computer. Practically invisible underneath your leg mounted FlatFrog Multitouch 3200 table for a sleek all-in-one solution.

TECHNICAL SPECIFICATIONS

NAME	FLATFROG MULTITOUCH 3200
Description	Full HD LCD display with integrated PSD true multi-touch technology
DISPLAY	
Technology	LCD
LCD technology	A-MVA
Resolution	1920 x 1080
Size	32" diagonal
Viewing area	698.40 x 392.85 mm
Viewing angle	178 deg vertical / 178 deg horizontal
Contrast ratio	4000:1
Aspect ratio	16:9
Brightness	400 Cd/m2
Colors	16.7 million
Video response time	6.5 ms
Refresh rate	60 Hz
Control type	OSD
Pixel pitch	0.364 x 0.364 mm
Expected life	30,000 hours
Power cycle	16 hours per day continuous use
INTERFACE	
Connections	USB, Ethernet, DVI
Operating system	USB HID Multitouch Digitizer supporting Windows 7, TUIO over Ethernet supporting e.g. OS X, Linux and Android
– software framework	
TOUCH PERFORMANCE	
Input type	Simultaneous fingers, gloves
Number of simultaneous touches and drags	40
Pressure detection	1000 levels of pressure on 40 individual touches
Sampling and reporting rate	100 Hz @ 20 simultaneous touches and drags
Pixel accessibility	All pixels are accessible, including edges
Positional precision	Sub-pixel precision, 400dpi resolution = 1/16 mm
Positional accuracy	Less than 2 mm offset
Jitter	Less than 1 pixel (0.37 mm)
Drag speed	2 m/s
Calibration	No calibration required

MECHANICAL	
Weight	19 kg
Depth	55 mm including LCD
Width	822 mm
Height	517 mm
Bezel width	61 mm
Bezel height	0.5 mm
Mounting	1. Integrated into table 2. Optional legs for standalone use 3. Vertical using VESA mount
Mounted height:	
– sofa height legs	405 mm
– bar height legs	905 mm
VESA	200 mm x 200 mm
ELECTRICAL	
Power supply	110-230 V, 50-60Hz
Power supply dimensions	170.8 x 44.45 x 84.85 mm
Power consumption	Max 125W, Typical 90W
ENVIRONMENTAL	
Operating temperatures	+15 to +30 degrees celsius
Storage temperatures	+5 to +40 degrees celsius
Ambient light	Resilient to ambient light. Handles all common light sources (halogen, fluorescent etc.)
Chemical resistance	The active touch area is resistant to chemicals that do not affect glass.
Relative humidity (operating/storage)	0% to 75%/85% non condensing
Electrostatic protection	8kV air / 4kV contact
OPTICAL	
Optical clarity	No optical degradation
WARRANTIES AND CERTIFICATION	
Warranty	1 year
Agency approvals	ETL, FCC Class B, CE, IEEE Class 1, RoHS, WEEE

FLATFROG LABORATORIES

FlatFrog bring to life the exciting new world of multi-touch computing and applications. Designed from inception for volume production, our patented technologies enable unmatched in-glass multi-touch performance for displays in a slim form factor.

