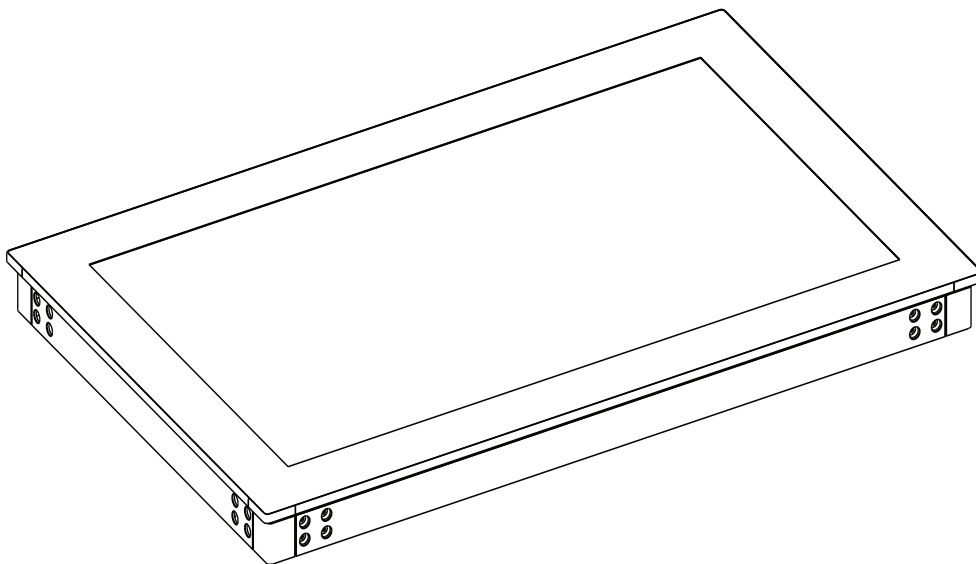


# FLATFROG

# MULTITOUCH 3200

## Quick Installation Guide



Document Number LZN 100012 R1B

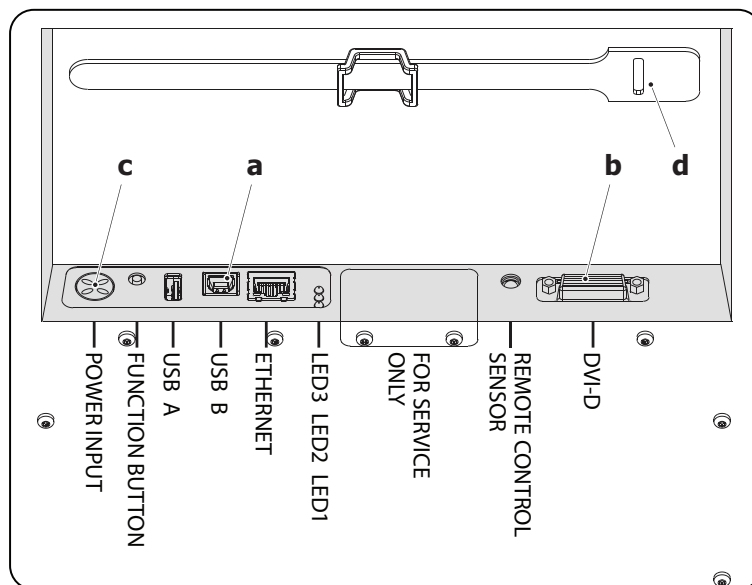
Issue 2012-07

# FlatFrog Multitouch 3200

## Quick Installation Guide

### Connecting to a Windows 7 PC via USB

See manual for connecting to a Mac OS X, Linux or other operating system



*USB B port (a), DVI-D port (b) and power connection (c) and cable strap (d) at the connection panel.*

1. Make sure that both your FlatFrog Multitouch 3200 and the PC are turned off and that both their power cables are disconnected.
2. Connect the USB cable (not supplied) between the FlatFrog Multitouch 3200 USB B port (a) and the PC.
3. Connect a display cable (not supplied) between the FlatFrog Multitouch 3200 DVI-D port (b) and the PC DVI-D port, DisplayPort **or** HDMI port.
4. Connect the power supply cable between the FlatFrog Multitouch 3200 power connection (c) and a grounded power outlet.
5. Collect the cables in the cable strap (d) to relieve the connections from the cable weight.
6. Connect the PC power cable between the PC and a grounded power outlet.
7. Start your FlatFrog Multitouch 3200 by switching the button on the power supply to position "I".
8. During the start-up the FlatFrog logotype becomes visible on the multi-touch screen. After approximately 30 seconds, the FlatFrog logotype disappears. At this point the multi-touch screen is active.
9. Start the PC.

10. When Windows 7 starts, the computer will automatically detect the multi-touch screen.
11. When the Windows 7 start-up procedure is completed, your FlatFrog Multitouch 3200 is ready for use.
12. Make sure you have the proper screen resolution on your computer.  
To change your resolution, press and hold your finger on the surface of the screen. Release the finger when you have a circle around your finger. Choose "Screen resolution". The resolution has to be 1920x1080.

*If the screen does not display any image or if the multi-touch interface is not responding, please see section 8.1 Troubleshooting in the owners guide.*

Please visit [www.flatfrog.com/support](http://www.flatfrog.com/support) for product registration and links to multi touch demo software.



**Warning**

*Read 2 Safety in section 2 Safety in the owners guide completely before unpacking, assembling, connecting or using your FlatFrog Multitouch 3200 with possible accessories.*