

FLATFROG EXPERIENCE

E-TM42F



FlatFrog 42" touch module

- Ultra thin, edge-to-edge design
- Perfect optical clarity
- Support for any gloves and thin tip styluses
- Unique Pressure Detection
- Up to 40 simultaneous touches
- Windows 8 and Android support

FlatFrog E-TM42F is a new touch module in the FlatFrog Experience series for large displays that offers a true tablet-like, easy-to-use experience. The performance and the flush, edge-to-edge design make FlatFrog E-TM42F the perfect touch screen for interactive digital signage installations, especially in premium environments where design is important.

By combining a single cover glass with our zero air-gap technology, we have minimized the distance between the display and the user. The industrial design can be made thinner and lighter, eliminating any parallax touch issues even at wide angles. To further optimize the viewing experience, FlatFrog Touch has no sensor grid obstructing the visual clarity.

FlatFrog Touch offers industry-leading multi-touch performance, ensuring a perfect Windows or Android user interface experience. FlatFrog Touch also has the unique ability to sense more than 1,000 levels of pressure. This enables pressure sensitive drawing and writing as well as new application gestures for music, gaming and smart user interfaces.

FlatFrog Experience series offers a true tablet touch experience for large interactive displays. All products feature a flush, bezel free, edge-to-edge design – perfect for digital signage, interactive whiteboards and table computers in sizes from 32"–65", followed by 70"–100" in the near future.



TECHNICAL SPECIFICATIONS

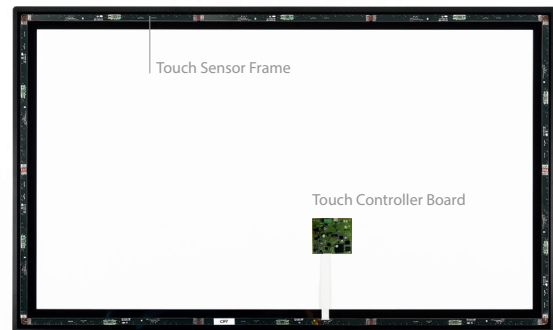
Cover lens type	Chemically strengthened soda lime
Cover lens thickness	3.2 mm
Cover lens ID concept	Edge-to-edge glass
Surface treatment front	Anti-fingerprint coating Optional: Anti-reflection coating Pencil hardness: $\geq 7H$
Surface treatment back	Black border
LCD panel integration	Air-gap bonding
Main board interface	Data communication: USB 2.0 Hi-Speed Dual power supply: VBUS (5V) VTSF (12V)
USB Data rate	Maximum 110kbps
OS Compatibility	Windows 7/8, Linux and Android versions with native support for USB HID Multi-touch for Windows
Touch interface	USB HID Multi-touch
Multiple touches	10 simultaneous touches and drags Optional up to 40 touches
Touch resolution	14848 x 8352
Accuracy	<2mm (95% of screen)
Latency	<15 ms
Reporting rate	100 Hz
Touch objects	Fingers, gloves, soft tip styluses and soft objects are detected – min size 4 mm
Optional features	10-bit pressure detection Water rejection Palm rejection Wake-on-touch

Weight including glass	Approx. 5 kg
Operating conditions	0°C to +60°C

Note: The prototype technical specification is preliminary and may differ from the final product.

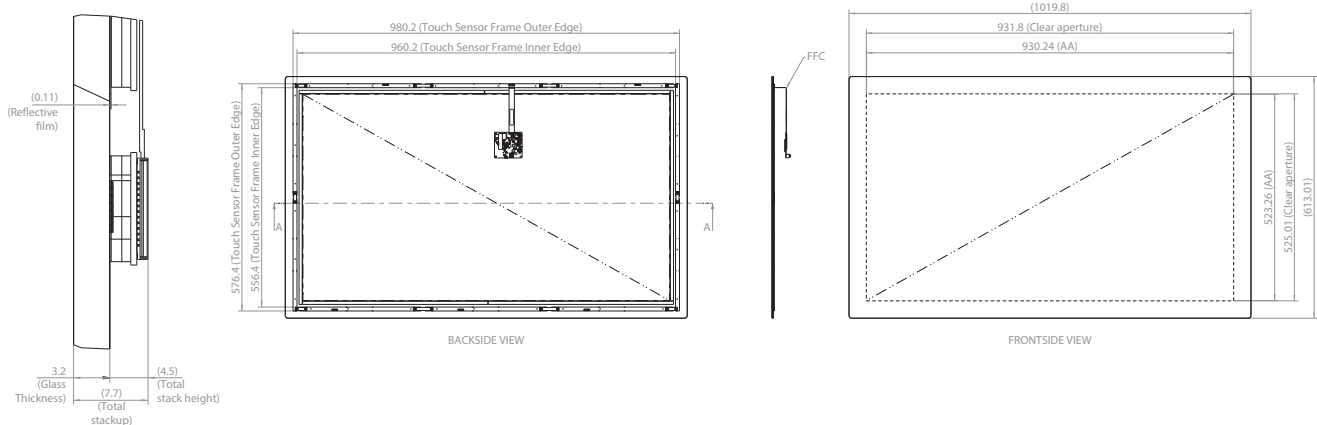


Cover glass front



Cover glass back

DIMENSIONS



E-TM42F EP1 VERSION

FlatFrog is revolutionizing the touch industry with its patented In-Glass™ touch technology. FlatFrog's products offer a perfect touch and viewing experience, supporting over 40 touches with unique pressure detection in a flush, bezel-free design. FlatFrog Touch is designed for mass production and integration into tablets, PCs and large interactive displays. FlatFrog Laboratories AB is based in Lund, Sweden.

